



# GUTTER RESET PROCESS



## Detaching, Re-hanging, and Protecting Gutters

Purpose:

To make sure gutters are safely removed, put back in place, and protected during the roof tear-off process. This keeps the gutters from getting damaged and helps the roofers work better.

It is very important to verify on the scope of work and sales turnover if we are removing or reusing gutters before proceeding either way.

### 1

## Protecting Gutters During Roof Work

- If the gutters are remaining on the house, cover them with boards or special gutter guards anywhere debris flow will be heavy.
- Do not drop debris into the gutters. Use boards or gutter guards to block falling shingles and nails.
- **Always position a guard on gutters in any area before placing a ladder**, a piece of wood nailed to bump the ladder out works as well as an out of the box guard. This action protects from damage, ladders WILL damage the gutters and create dents.



Are the gutters being removed or reused?  
If they're staying, protect them first.



Gutters **MUST** be protected from ladder impacts before use



Metal guards keep debris from piling up and prevent damage during tear-off.

## 2

# Detaching the Gutters:

**Note: This is for when existing gutters are being reused.**

- First Remove existing roofing shingles but not drip edges yet.
- Carefully remove existing gutter fasteners in a small area (about 15 feet at a time). Save any gutter hangers if in good condition.
- Be careful not to bend or damage gutters.

**Next: Remove the roofs drip edge metal and its nails in that 15' area.**

- **Before moving on,** Keep the current 15' gutter section suspended in the same position using gutter hanging screws through fascia to temporarily hold it up, using the same holes.



## Important:

- Continue this process for all sections with gutters, 10-15 foot at a time. Don't detach more than 15' at a time, the weight is too much and can damage the gutter system.
- **NEVER FOR ANY REASON USE ROOFING NAILS TO TEMPORARILY HOLD A GUTTER. This damages gutters and creates a big problem for the homeowner.**
- Avoid creating new holes.
- Don't "notch" drip edge around gutter spikes.
- Work to keep the gutter in the same position at the correct slope, same level as we go.



- Once new underlayment is installed, remove the temporary screws in first 15' section.
- Install drip edge in that section, and then install the gutter hangers in that section.

When Installing gutter hangers, keep the gutter at the same level as when we started. **Use a level to ensure the correct gradual flow.** Gutter hangers should be 24" on center in Florida. We add as needed to accomplish this.

- Make sure all gutter corner caulking joints are sealed.
- Clean out all dust or debris from gutter before finishing the roof job.



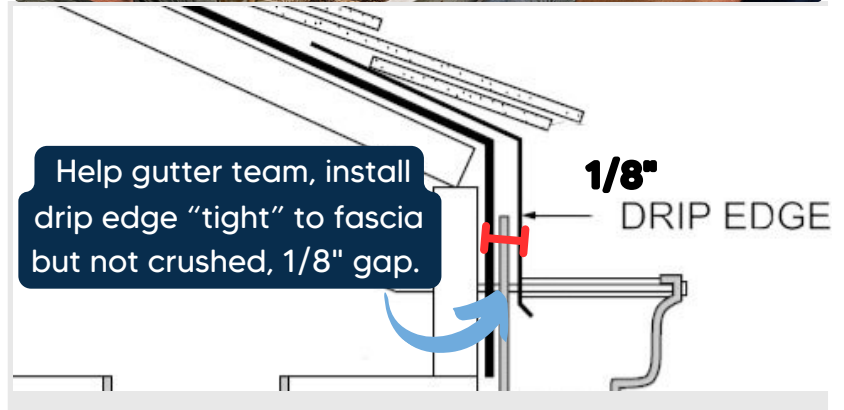
## Important

- Continue this process for all sections with gutters, 10-15 foot at a time.
- **NEVER FOR ANY REASON USE NAILS TO TEMPORARILY HOLD A GUTTER.** This damages gutters and stops them from being maintained, makes it hard to remove or replace later on.
- Avoid creating new holes in the gutters.
- Don't detach more than 15' at a time, the weight is too much and can damage the gutter system.
- Work to keep the gutter in the same position at the correct slope, same level as we go.

# 4

## Removing Gutters

- If on scope of work, remove gutters piece by piece, we take them off in manageable sections so they don't fall and damage anything below.
- **If new gutters are being installed** after the roof, do not install the drip edge too tight to fascia wood at eaves. Leave 1/8" space for new gutters to fit properly.



### Important

- Inspect for fascia damage behind gutters, it is important that this is gone over first with building owner. Sometimes full removal of gutters is required to address structural damage found, and sometimes this can result in an extra charge.
- Pool cage gutters/"Super Gutters" are structural in nature and these are outside the scope of this training.



Gutter Reset Process

Scan Code for Video